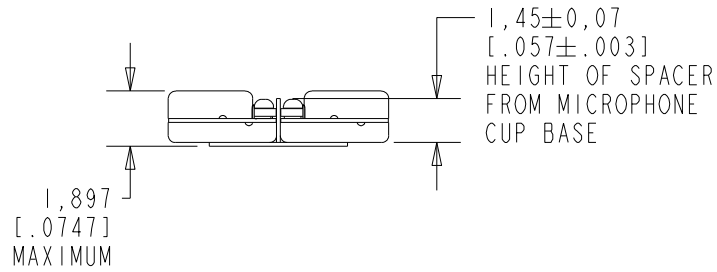
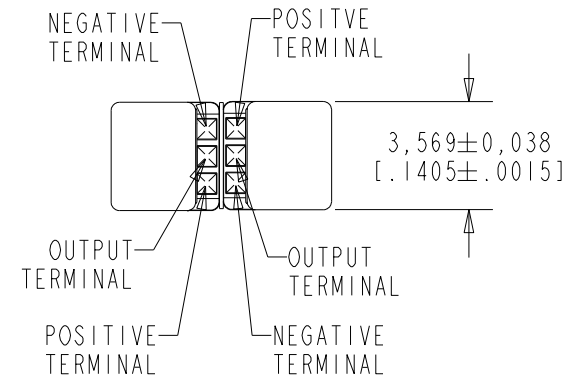
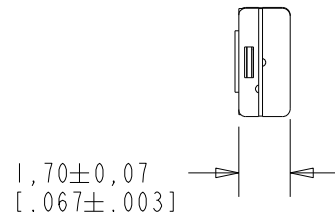
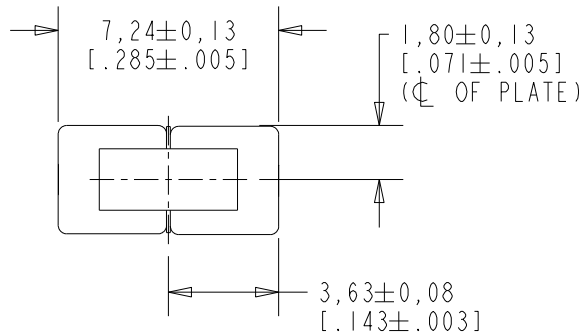


BTM-26901-B01
SHT 1.1



RED CONTROLLED



DIMENSIONS IN MILLIMETERS [INCHES]

Revision	C.O. #	Implementation Date	RELEASE LEVEL	REVISION
			Active	D
D	MI0107004	12-29-16		

SCALE: 4:1		DR. BY: MMM	DATE: 5-1-06
DO NOT SCALE DRAWING			
TITLE: MICROPHONE		GJP	DATE: 5-4-06
OUTLINE DRAWING		BTM-26901-B01	DATE: 5-4-06
		GJP	DATE: 5-4-06
		SHT 1.1	

KNOWLES CORPORATION

PAIR	CONSIST OF:
BTM-26901-B01	(2) BTM-26902-B01

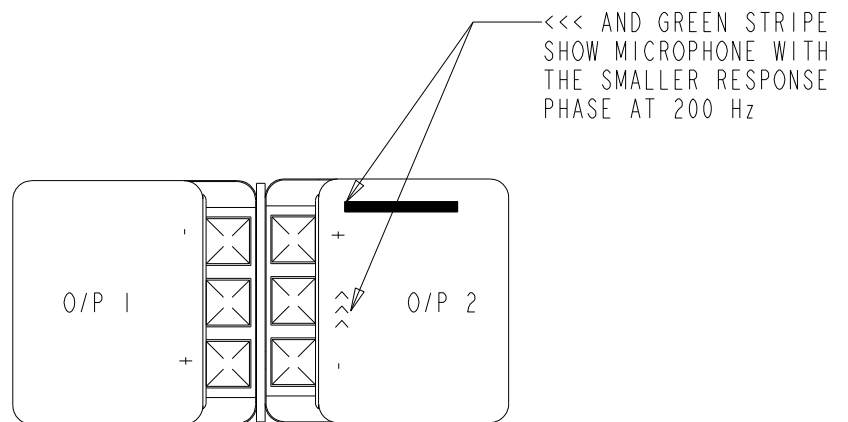
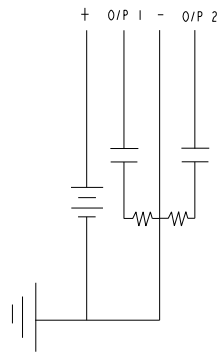
BOTH MICROPHONES OF THE PAIR ARE TESTED TO BTM-26902-B01 2.1 SHEET AND THEN MATCHED TO THE OTHER MICROPHONE USING THE SPECIFICATIONS AND CONDITIONS BELOW:

FREQUENCY	TEST TYPE	RANGE OF DEVIATION BETWEEN MICROPHONES	UNITS
500 Hz	SENSITIVITY	1.0 MAX.	dBV
200 Hz	PHASE	1.5 MAX.	DEGREES
2000 Hz	SENSITIVITY	1.0 MAX.	dBV
PEAK	SENSITIVITY (RE 1kHz SENSITIVITY)	1.5 MAX.	dBV
PEAK	FREQUENCY	250 MAX.	Hz

RED CONTROLLED

NOTES:

1. DC SUPPLY VOLTAGE .930 VOLTS.
2. TESTED WITH 26 kΩ LOAD AND 1μF CAPACITOR COUPLED TO THE OUTPUT. SEE SCHEMATIC.
3. SENSITIVITY AND PHASE VALUES INDICATED ARE VALID AT 50% RH.
4. LOADS AND CAPACITANCE FROM NOTE 2 MUST BE REMOVED PRIOR TO TESTING FOR IMPEDANCE.



Revision	C.O. #	Implementation Date	RELEASE LEVEL	REVISION
			Active	D
D	M10107004	12-29-16		

KNOWLES CORPORATION

WHEN TEST LIMITS ARE USED TO ESTABLISH INCOMING INSPECTION ACCEPTANCE/REJECTION CRITERIA, CORRELATION OF TEST EQUIPMENT WITH KNOWLES IS ALSO REQUIRED FOR ELIMINATION OF EQUIPMENT AND TEST METHOD VARIATION

TITLE: MICROPHONE
PERFORMANCE SPECIFICATION

BTM-26901-B01
SHT 2.1

DR. BY	DATE
MMM	5-1-06
CK. BY	DATE
GJP	5-4-06
APP. BY	DATE
GJP	5-4-06